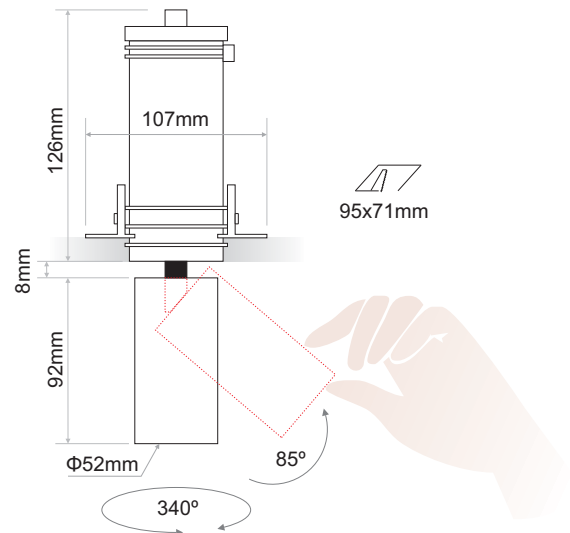
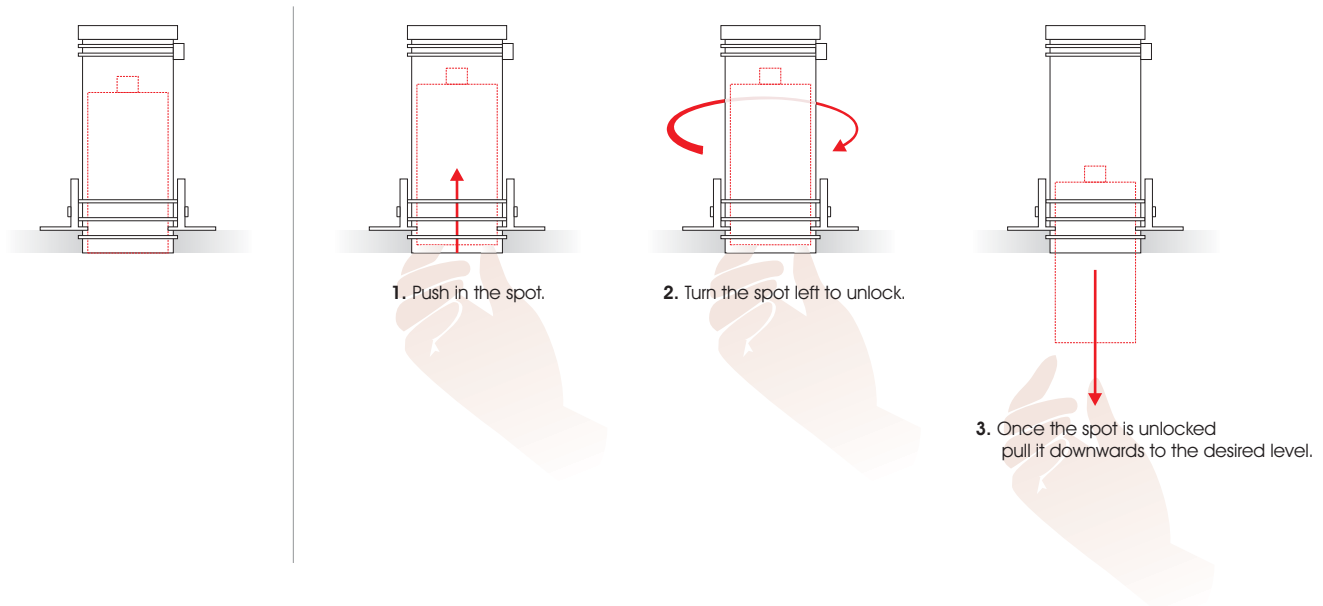


# REFORM 52 IN-OUT TRIMLESS

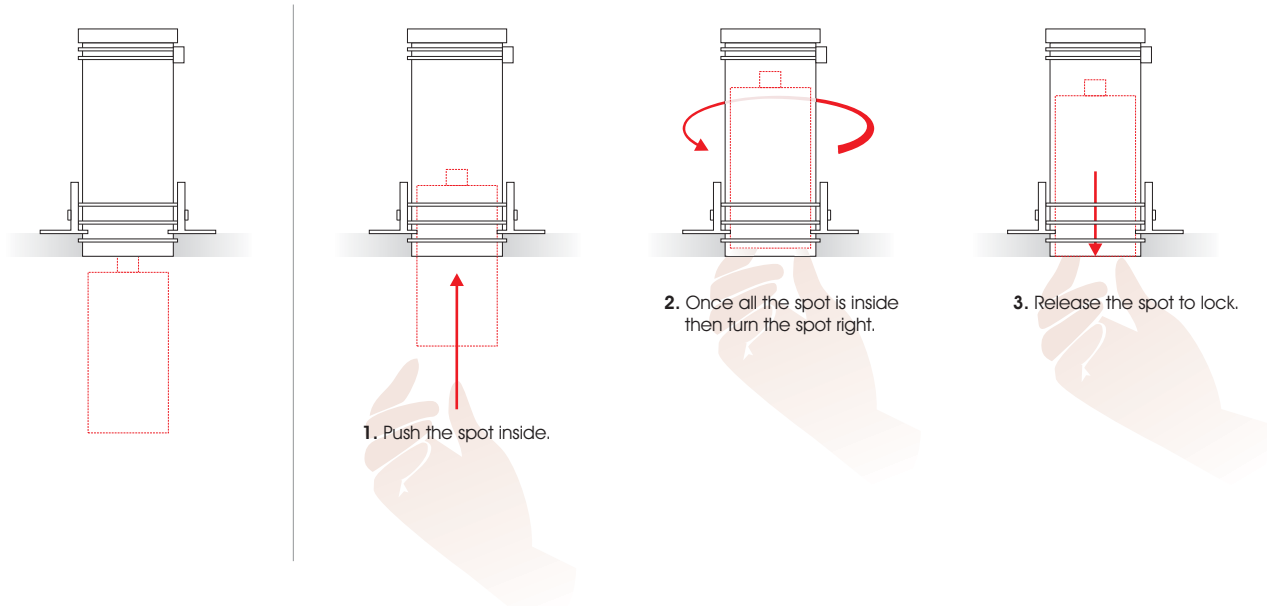
## Installation Manual



### To pull OUT the spot



### To pull IN the spot

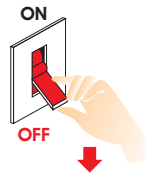


**1**



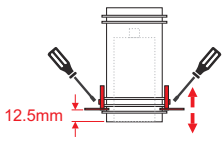
**Attention**

Before any maintenance switch off the main power.

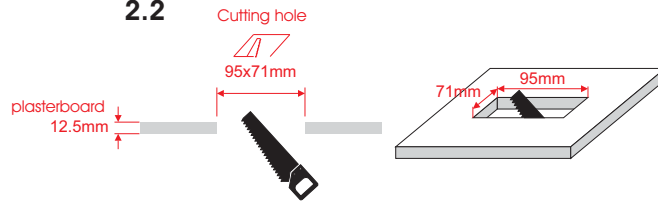


**2**

**2.1**

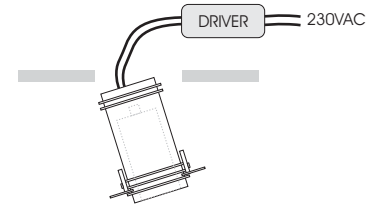


**2.2**



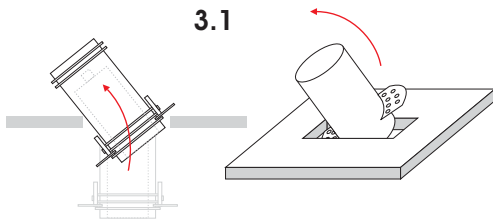
**2.3**

Connect the LED Driver at 230VAC.

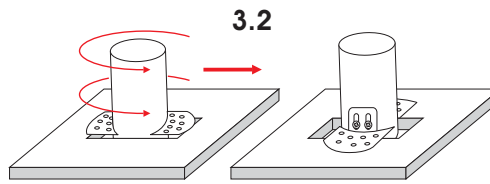


**3**

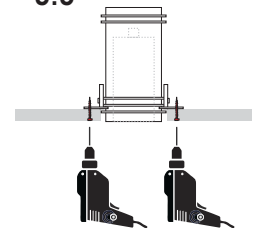
**3.1**



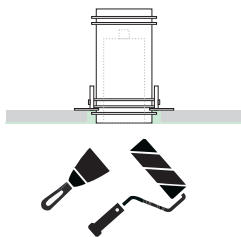
**3.2**



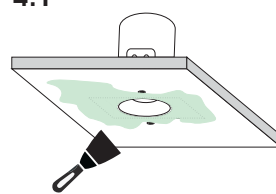
**3.3**



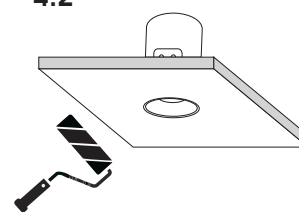
**4**



**4.1**



**4.2**



**5**

